

# KOBA

SINCE  
1991



# TRAILTOOL



The 29-inch Koba Trailtool, developed and designed by Ralph Lippuner and Jan Koba, is an ultra-light, carbon Enduro bike with 160/150 travel. The innovative frame geometry has been optimized down to the finest detail that helps you feel safe even on the most difficult and fastest trail sections. Test us!

Happy Trails Jan

ERFAHRE MEHR ÜBER DAS TRAILTOOL \*ND\*>>>

**KOBA** SINCE 1991

**TRAILTOOL**



**4 FRAME SIZES**

TRAILTOOL suitable for everyone

**LANGER REACH**

for more speed and safety

**PRIVATE MOLD**

only available at KOBA

**BOOST**

for more stiffness

**1x12**

for a consistent design

**SHORT / BROAD  
CHAINSTAY  
SUPPORT**

for an excellent uphill performance

**FULL COMPLEMENT  
BEARINGS**

for durability and increased resilience



**From 12.2 kg**

for pure fun and a great riding experience



**KOBA**  SINCE 1991

# TRAILTOOL



## FURTHER HIGHLIGHTS

CUSTOM MADE | FRAME WEIGHT 2.5 KG (SIZE S) | SUSPENSION FORK WITH LOCKOUT AND 160 MM TRAVEL |  
REAR SHOCK WITH LOCKOUT | BOTTLE CAGE | FRAME WITH 135 MM TRAVEL | TIRES UP TO 2.5 INCH |  
INNER CABLE ROUTING | DROPPER SEAT POST



## OUR COLOR COMBINATIONS

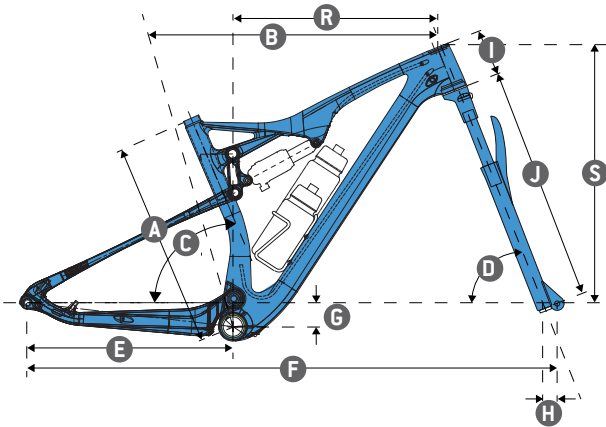
With the KOBA Trailtool \*ND\* you can tackle and explore any challenging tour.  
The TRAILTOOL will set you no limits!

Due to the lightweight and the extreme stiffness you will fly over the trails with pure riding fun.

## TEST US!

Happy Trails Jan Koba

## GEOMETRY



<b>A</b>	Seat tube length	395	445	480	515
<b>B</b>	Top tube length	581	609	633	655
<b>C</b>	Seat tube angle	75.5	75.5	75.5	75.5
<b>D</b>	Head tube angle	65.5°	65.5°	65.5°	65.5°
<b>E</b>	Chainstay length	435	435	435	435
<b>F</b>	Wheelbase	1176	1207	1232	1255
<b>G</b>	BB drop	25	25	25	25
<b>H</b>	Fork rake/offset	51	51	51	51
<b>I</b>	Head tube length	100	110	125	135
<b>J</b>	Fork length	567	567	567	567
<b>R</b>	Reach	425	450	470	490
<b>S</b>	Stack	607	617	632	642



SWISS MADE



ULTRA-LIGHT



UNIQUE