

KOBA

SINCE
1991



TRAILTOOL



alles fahrbar



The 29-inch Koba Trailtool, developed and designed by Ralph Lippuner and Jan Koba, is an ultra-light, carbon All-Mountain Bike with 160/150 travel. The innovative frame geometry has been optimized down to the finest detail that helps you feel safe even on the most difficult and fastest trail sections. Test us!

Happy Trails Jan

FIND OUT MORE ABOUT THE TRAILTOOL *AM* >>>

PRIVATE MOLD

only available at KOBA

LANGER REACH

for more speed and safety

4 FRAME SIZES

TRAILTOOL suitable for everyone

BOOST

for more stiffness

1x12

for a consistent design

SHORT / BROAD CHAINSTAY SUPPORT

for an excellent uphill performance

FULL COMPLEMENT BEARINGS

for durability and increased resilience



From 11.2 kg

for pure fun and a great riding experience





FURTHER HIGHLIGHTS

CUSTOM MADE | FRAME WEIGHT 2.5 KG (SIZE S) | SUSPENSION FORK WITH LOCKOUT AND 140 OR 150 MM TRAVEL | REAR SHOCK WITH LOCKOUT | BOTTLE CAGE | FRAME WITH 135 MM TRAVEL | TIRES UP TO 2.5 INCH | INNER CABLE ROUTING | DROPPER SEAT POST



OUR COLOR COMBINATIONS

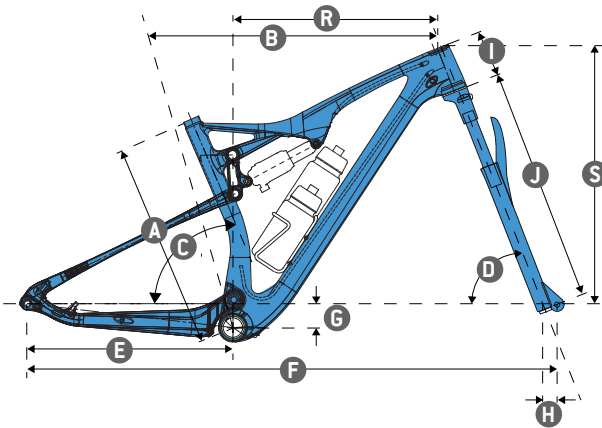
With the Koba Trailtool *AM* you can tackle and explore any challenging tour. The TRAILTOOL will set you no limits!

Due to the lightweight and the extreme stiffness you will fly over the trails with pure riding fun.

TEST US!

Happy Trails Jan Koba

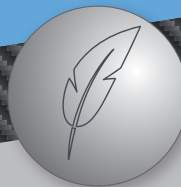
GEOMETRY



A	Seat tube length	395	445	480	515
B	Top tube length	581	609	633	655
C	Seat tube angle	75.5	75.5	75.5	75.5
D	Head tube angle	66.5°	66.5°	66.5°	66.5°
E	Chainstay length	435	435	435	435
F	Wheelbase	1170	1201	1225	1249
G	BB drop	25	25	25	25
H	Fork rake/offset	51	51	51	51
I	Head tube length	100	110	125	135
J	Fork length	547	547	547	547
R	Reach	425	450	470	490
S	Stack	600	610	625	635



SWISS MADE



ULTRA-LIGHT



UNIQUE